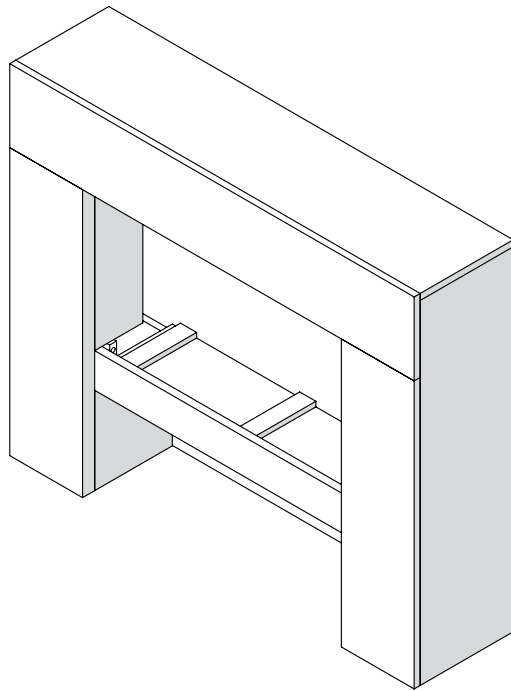


# FIREPLACE MANTEL

## ASSEMBLY INSTRUCTIONS

MT279A



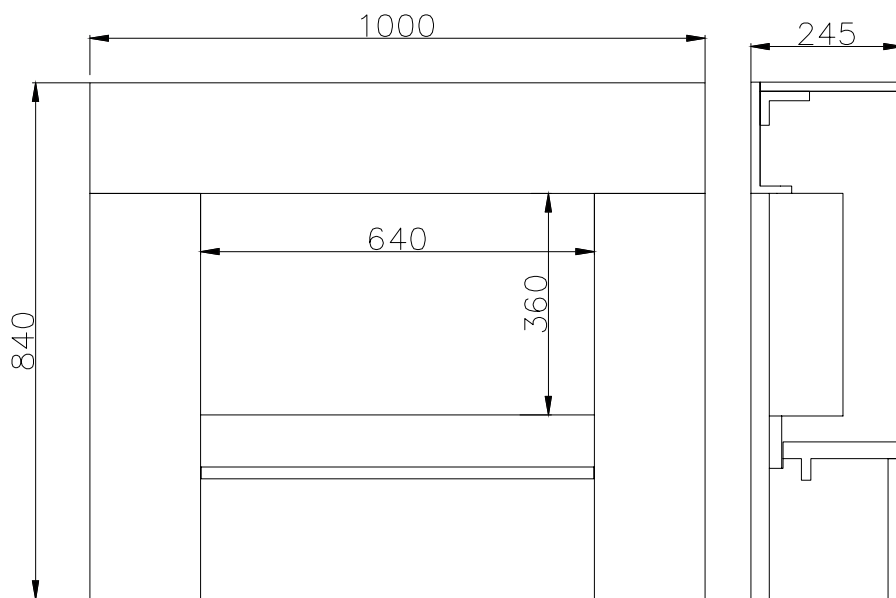
**If you have a problem with this product, DO NOT RETURN.**

**Call our customer service, Tel: or**

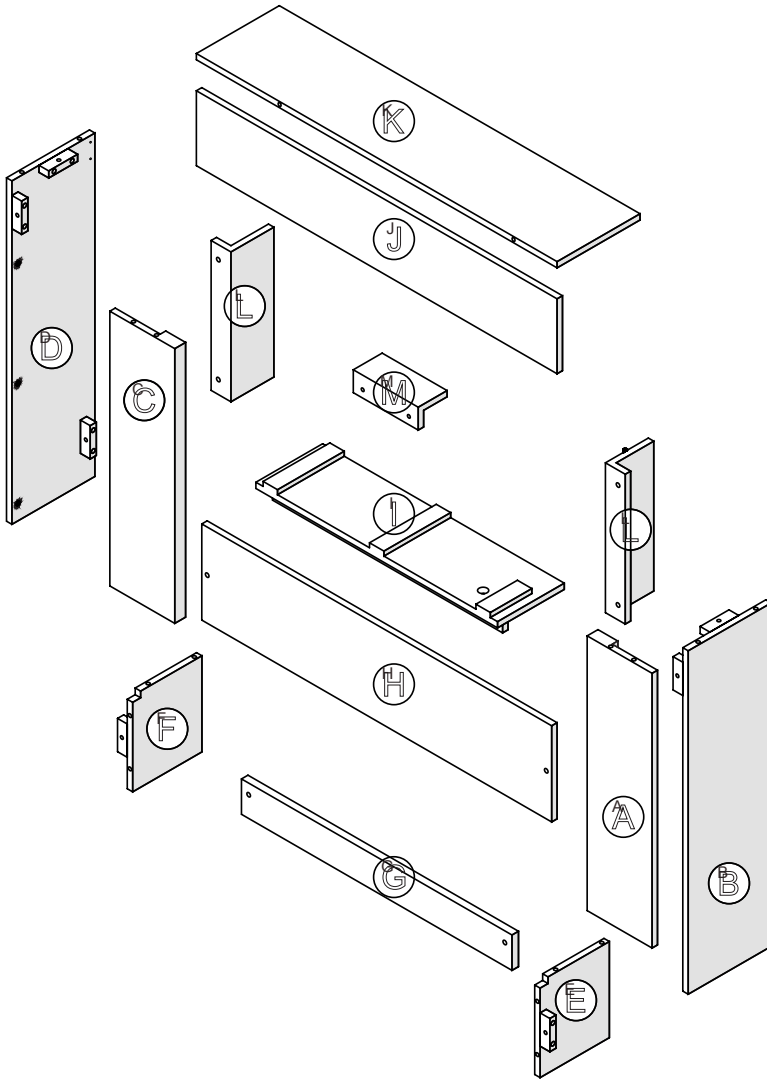
**Email:**



# APPLIANCE DIMENSIONS



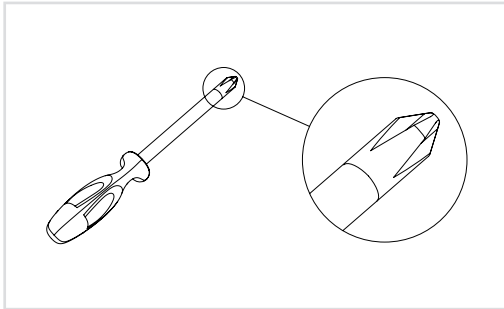
# PARTS LIST

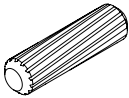
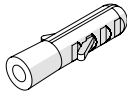

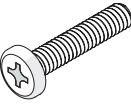



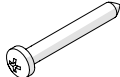
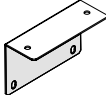
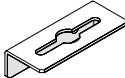
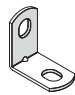


# PARTS AND ACCESSORIES

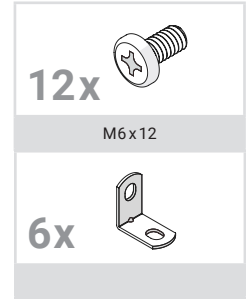
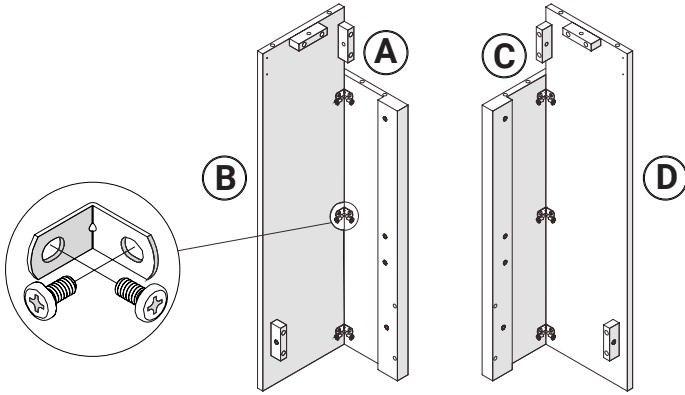
## Tools required:

A screwdriver will be needed.



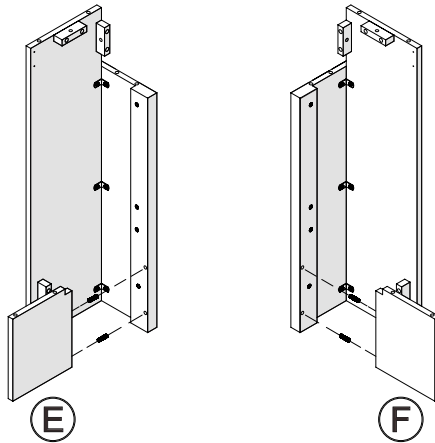
<b>19x</b>  ø 8 x 30 mm	<b>2x</b> 	<b>21x</b>  M6x12
<b>17x</b>  M6 x 28 mm	<b>15x</b> 	<b>4x</b>  ST4x12
<b>8x</b>  ST4x12	<b>2x</b>  ST5x40	<b>2x</b> 
<b>2x</b> 	<b>11x</b> 	

# 01



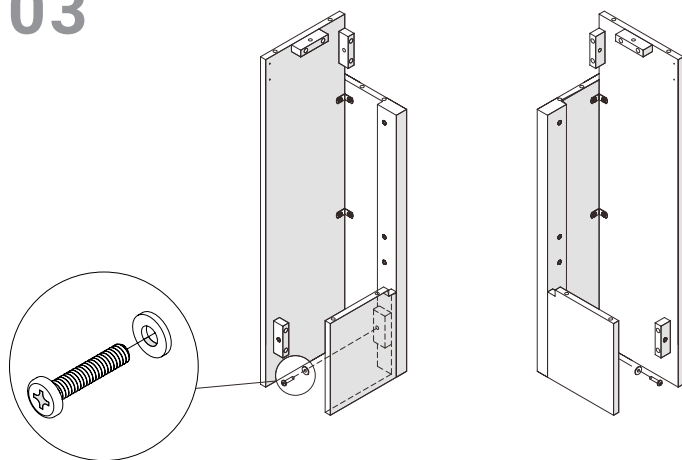
Carry out this assembly step on both sides

# 02

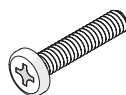


Carry out this assembly step on both sides

# 03



2x



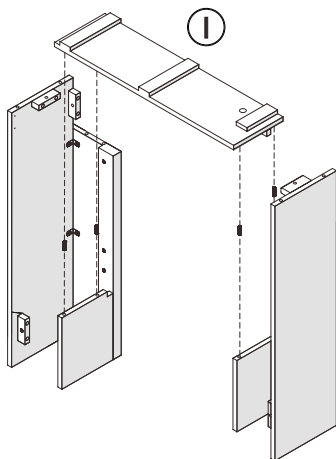
M6 x 28 mm

2x

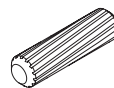


Carry out this assembly step on both sides

# 04



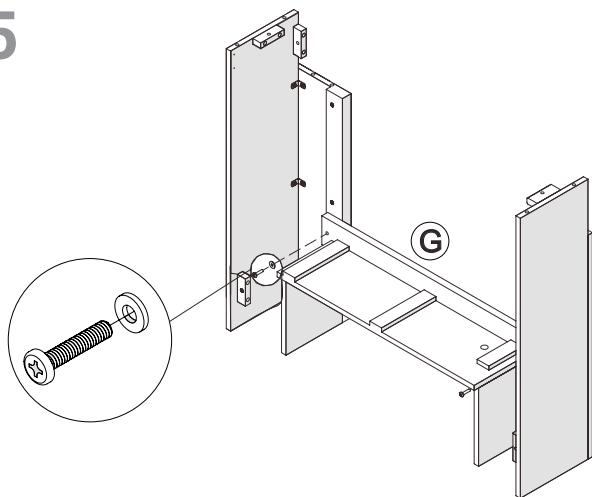
4x



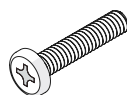
Ø 8 x 30 mm

Carry out this assembly step on both sides

# 05



2x



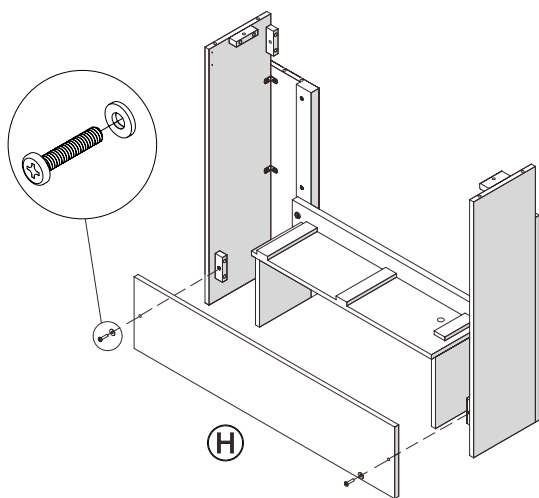
M6 x 28 mm

2x

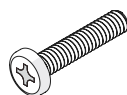


Carry out this assembly step on both sides

# 06



2x



M6 x 28 mm

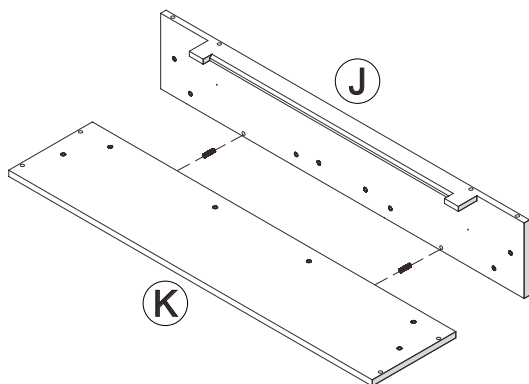
2x



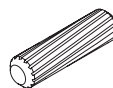
Carry out this assembly step on both sides



# 07



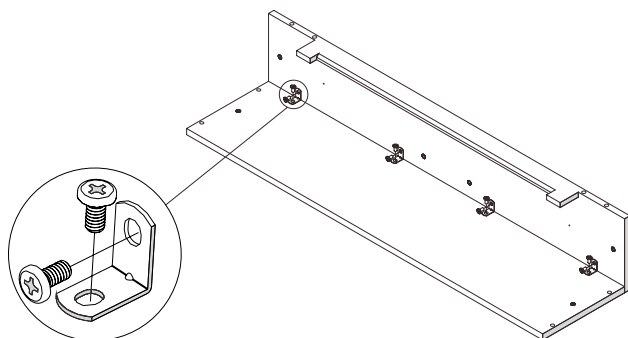
4x



∅ 8 x 30 mm

Carry out this assembly step on both sides

# 08



8x



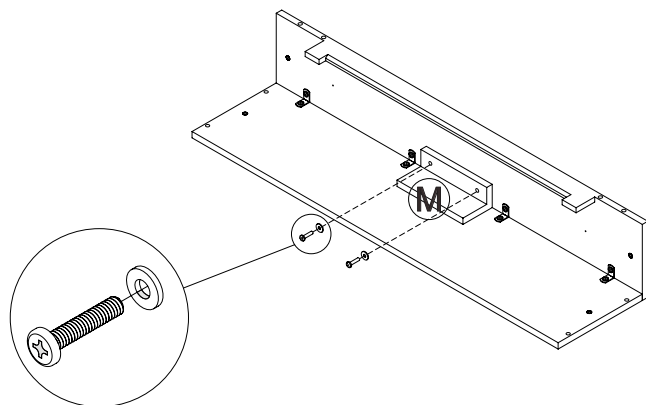
M6x12

4x

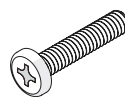


Carry out this assembly step on both sides

# 09



2x

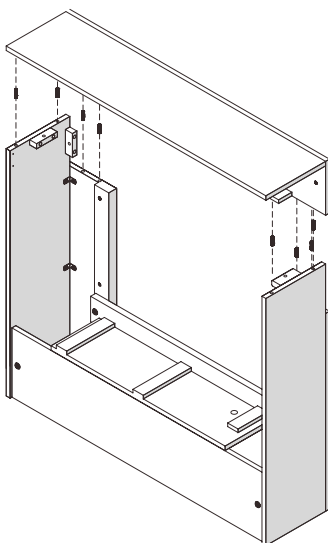


M6 x 28 mm

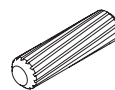
2x



# 10



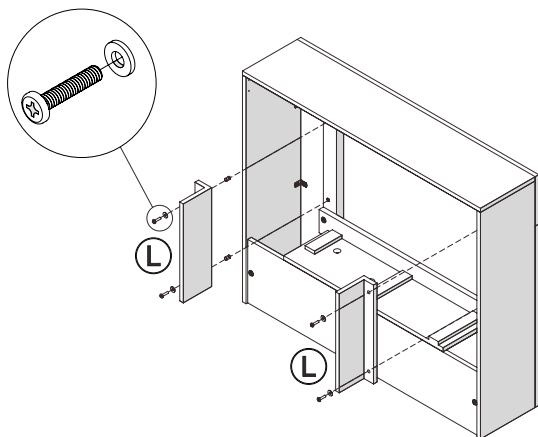
8x



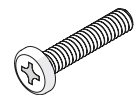
∅ 8 x 30 mm

Carry out this assembly step on both sides

# 11



4x



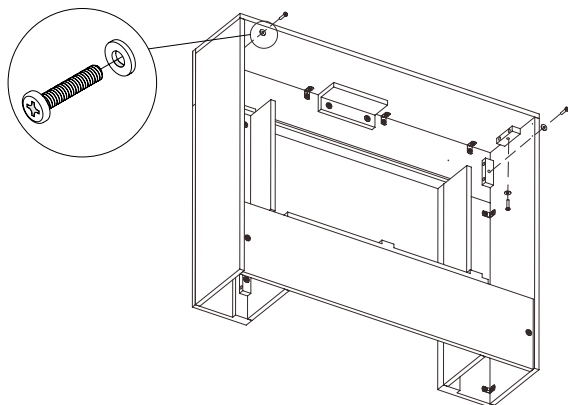
M6 x 28 mm

4x

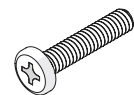


Carry out this assembly step on both sides

# 12



4x



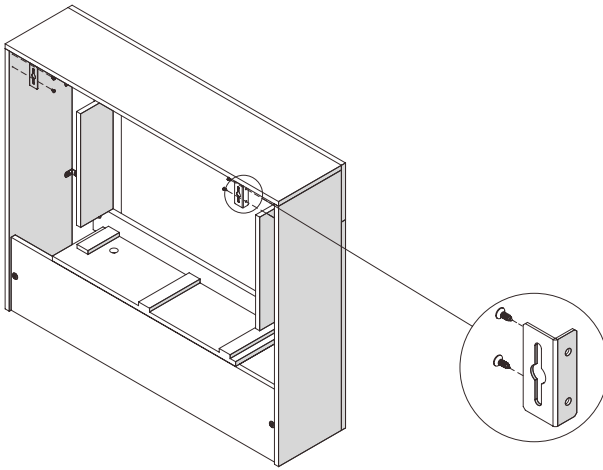
M6 x 28 mm

4x



Carry out this assembly step on both sides

# 13

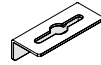


4x



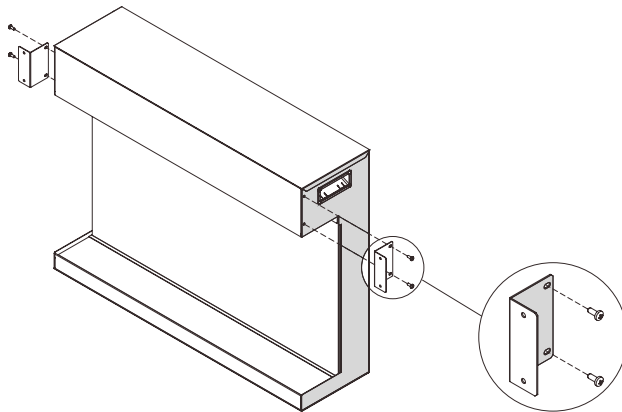
ST4x12

2x



Carry out this assembly step on both sides

# 14



4x



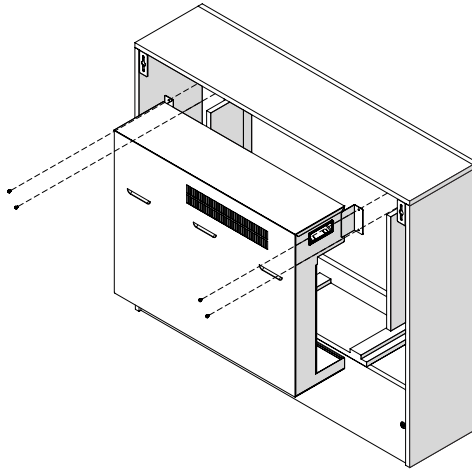
ST4x12

2x



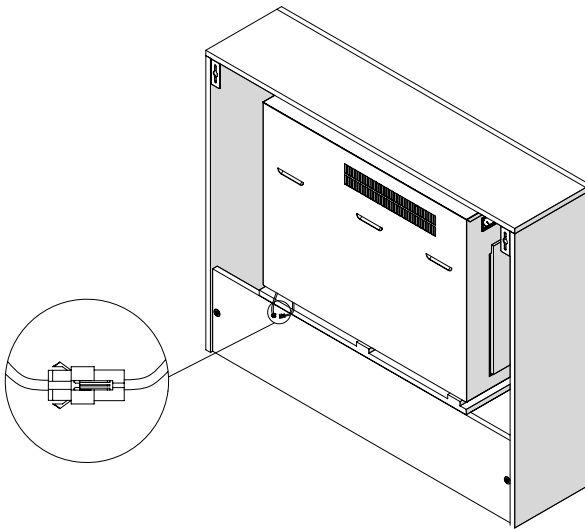
Carry out this assembly step on both sides

# 15

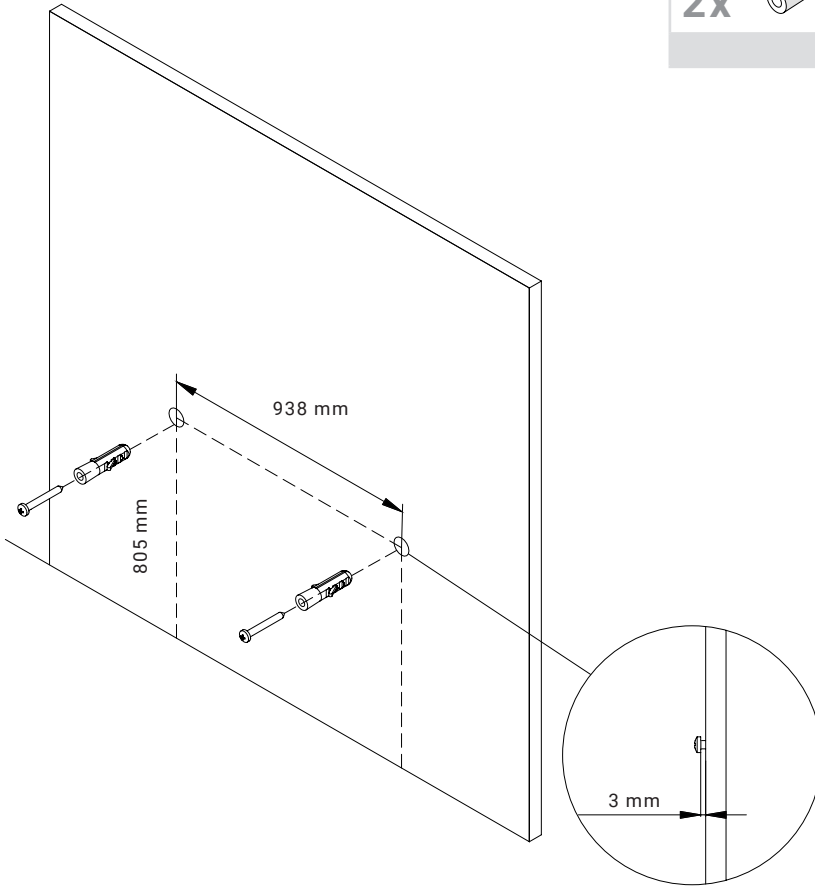
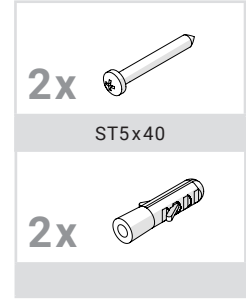


Carry out this assembly step on both sides

# 16

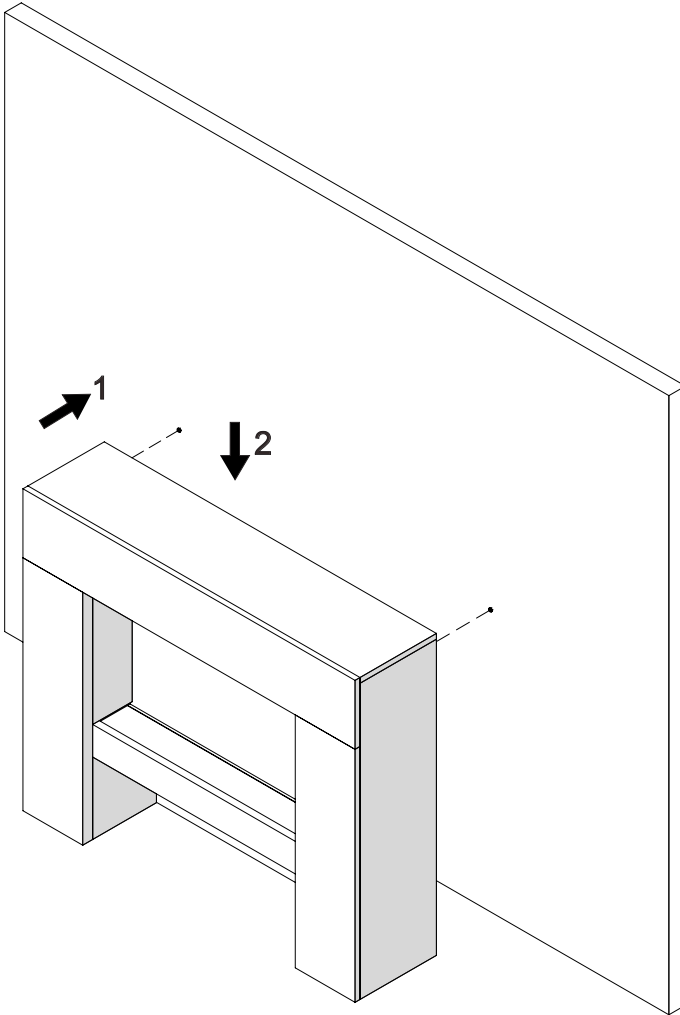


17



Carry out this assembly step on both sides

18



Carry out this assembly step on both sides

---

**Distributor:**

**E-mail :**